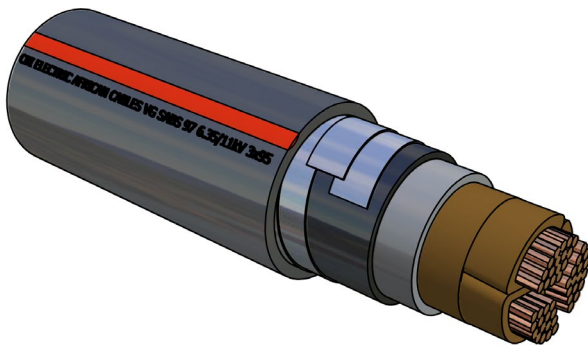


## MEDIUM VOLTAGE PILC-COPPER CABLES

### 22kV MV PILC Copper 3 Core DSTA Table 20

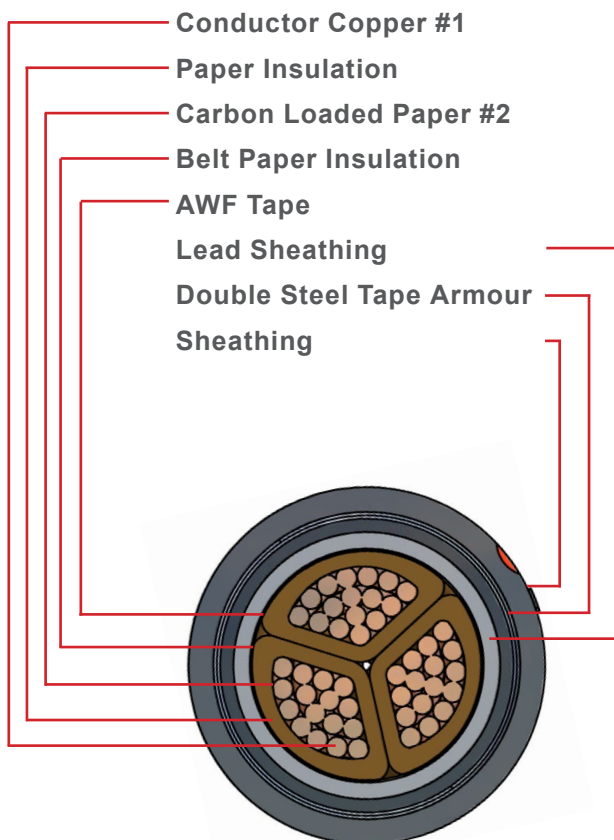


#### General Data:

##### Properties:

<b>Copper</b>	3 Core
<b>Specification</b>	SANS 97
<b>Voltage Rating</b>	12700 / 22000V
<b>Table 20</b>	Belted

#### Cable Description:



##### Typical

##### Applications:

<b>Underground</b>	Underground Reticulation Main Distribution System Sub-stationed Mining
--------------------	--

##### Options:

<b>Standard</b>	PILC / PILAC Red Stripe Blue Stripe
-----------------	---

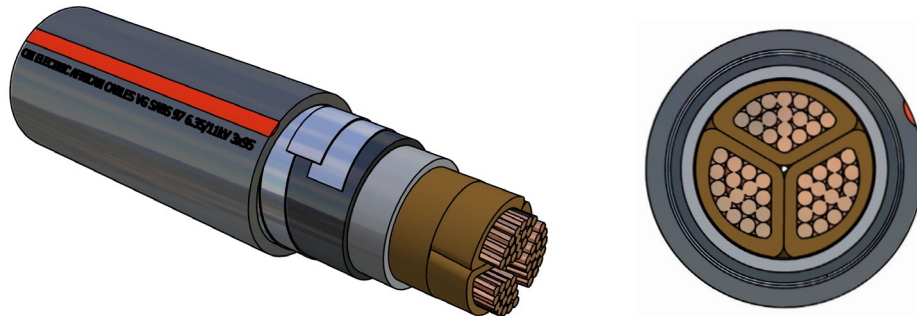


Technical Information and Photographs from CBI electric

Address: 4 Branch Road, Germiston 1401, P.O. Box 678, Germiston 1400

## MEDIUM VOLTAGE PILC-COPPER CABLES

### 22kV MV PILC Copper 3 Core DSTA Table 20



#### Product Information:

Cable Size (mm <sup>2</sup> )	Approximate Diameter (mm)	Current Rating (A)			Approximate Cable Mass (kg)	
		Ground	Ducts	Air	Cable	Gross (300m)
*50	64.5	160	140	170	9.4	2820
*70	68.5	195	170	215	10.8	3240
*95	73.0	235	200	260	12.5	3750
120	70.5	270	230	300	13.2	3960
150	73.5	300	255	340	14.8	4440
185	77.5	340	290	385	16.8	5040
240	82.5	390	330	450	19.6	5880
300	87.0	435	370	510	22.6	6780

\* Circular Conductor



Technical Information and Photographs from CBI electric

Address: 4 Branch Road, Germiston 1401, P.O. Box 678, Germiston 1400

## Complete your Project:

Please select the items you require and we will be in touch

### Cables and Wires:

Indoor  
Outdoor  
General  
Other  
Let an ACTOM  
Specialist Contact you

### Lighting:

Indoor  
Outdoor  
General  
Other  
Let an ACTOM  
Specialist Contact you

### Transformers (Distribution):

Indoor  
Outdoor  
General  
Other  
Let an ACTOM  
Specialist Contact you

### Accessories:

Indoor  
Outdoor  
General  
Other  
Let an ACTOM  
Specialist Contact you

### Specific Information:

## For more Information on this Product Please Send us the Following

### Product Information:

Product Name:

Quantity:

Project Name:

Date the Product is required:

### Your Contact Information:

Name and Surname:

Company:

Email:

Phone Number:

Province:

## Thank You

### For having a Look at this Product

Please send this PDF back to us with all your Information

Scan the QR Code to visit our Website:

